



"Little Wonder"

TRADE MARK REG. No. 152,384



Famous Name in Lawn and Garden Equipment Since 1922

DIVISION OF SCHILLER-PFEIFFER, INCORPORATED

P.O. BOX 38, 1028 STREET ROAD

SOUTHAMPTON, PA 18966 U.S.A.

AREA CODE 215-357-5110

OPERATING, ASSEMBLY INSTRUCTIONS AND PARTS LIST FOR LITTLE WONDER PRO MODEL EDGERS CATALOGS #6031, #6031 1.C., #6031K

IMPORTANT SAFETY INSTRUCTIONS

DANGER – When using your Edger, follow basic precautions, including the following:

1. **READ THESE IMPORTANT SAFETY INSTRUCTIONS, THE OPERATING INSTRUCTIONS, ASSEMBLY INSTRUCTIONS, USER MAINTENANCE INSTRUCTIONS, AND THE BRIGGS AND STRATTON OR KAWASAKI OPERATING AND MAINTENANCE INSTRUCTIONS CAREFULLY AND COMPLETELY. Be thoroughly familiar with the controls and the proper use of the equipment. Know how to stop the unit and disengage the controls quickly. SAVE MANUALS AND INSTRUCTIONS AND KEEP IN A SAFE PLACE.**

2. **DRESS PROPERLY** – Wear safety glasses or goggles. Do not wear loose clothing or jewelry. They can be caught in moving parts. Use of sturdy gloves and safety footwear is recommended. Always wear pants that cover legs.

3. **STAY ALERT** – Watch what you are doing - use common sense. Do not operate product when fatigued or under the influence of alcohol or drugs.

4. **CAUTION** – To reduce the risk of fire, replace gasoline cap securely.

5. **DANGER** – ROTATING BLADE

–Keep both hands on handles when blade is rotating.

–Keep feet away from cutting area.

–Do not attempt to remove cut material or hold material to be cut when engine is running or when blade is moving.

–Make sure spark plug wire is disconnected when clearing jammed material from blade or cutter head.

–**CAUTION** – Blade coasts after turn off.

6. **KEEP OPERATING AREA CLEAR** – Keep the area of operation clear of all persons and pets.

7. **USE EDGER PROPERLY** – Use only for edging the type of shrub, growth and the like described in the operating instructions. Do not abuse edger. Do not use edger in rain or wet locations.

8. **DON'T OVERREACH OR STAND ON UNSTABLE SUPPORT** – Keep good footing and balance at all times.

9. **DISCONNECT (UNPLUG) SPARK PLUG LEAD** –

–When not in use.

–Before servicing, cleaning, and the like.

–Before changing blade, belt, etc.

10. **MAINTAIN PRODUCT WITH CARE** –

–Follow maintenance instructions given in Manuals.

–To reduce the risk of fire, do not allow excessive grass, leaves, or grease to accumulate on the Edger.

11. **STORE EDGER INDOORS** – When not in use, store Edger indoors in a dry place locked or otherwise inaccessible to children.

12. **DO NOT ATTEMPT TO REPAIR EDGER** –

–Have repairs made by qualified dealer or repairman.

–See that only identical replacement parts are used.

13. **DO NOT USE EDGER ON GRAVELED SURFACES.**

14. **NEVER OPERATE THE EDGER WITHOUT GOOD VISIBILITY OR LIGHT.**

15. **HANDLE GAS WITH CARE; IT IS HIGHLY FLAMMABLE.**

a) Use a gas container acceptable for the purpose and do not store gas in a house.

b) Never add gas to a running or hot engine.

c) Fill gas tank outdoors with extreme care. Never fill gas tank indoors.

d) Replace gas cap securely.

e) If gas is spilled, move Edger and gas container from area and do not create a source of ignition.

16. **START THE ENGINE CAREFULLY.** Keep hands, feet, clothing, and the like well away from blade and moving parts.

17. **DO NOT RUN THE ENGINE INDOORS;** exhaust fumes are dangerous.

18. **NEVER ATTEMPT TO MAKE ADJUSTMENTS** - while the engine is running, except to carburetor.

19. **NEVER DIRECT DISCHARGE OF MATERIAL TOWARD BYSTANDERS OR ALLOW ANYONE NEAR THE AREA OF OPERATION.** Use care in directing discharge to avoid glass enclosures, automobiles, and the like.

20. **STAY ALERT FOR UNEVEN SIDEWALKS, HOLES IN TERRAIN OR OTHER SIMILAR CONDITIONS WHEN USING EDGER.** Always push slowly over rough ground.

21. **OBJECTS STRUCK BY THE BLADE CAN CAUSE SEVERE INJURIES TO PERSONS.** The lawn should always be carefully examined and cleared of all objects prior to edging.

22. **IF EDGER STRIKES A FOREIGN OBJECT, FOLLOW THESE STEPS:**

a) Stop engine.

b) Disconnect spark plug lead.

c) Inspect for damage.

d) Repair any damage before restarting and operating the Edger.

23. **DISENGAGE THE BLADE AND/OR STOP THE ENGINE WHEN THE EDGER IS TRANSPORTED OR NOT IN USE.**

24. **STOP THE ENGINE WHEN LEAVING THE EDGER UNATTENDED.**

25. **WHEN CLEANING, REPAIRING, OR INSPECTING,** make certain the blade and all moving parts have stopped. Disconnect the spark plug wire, and keep the wire away from the plug so that unintentional starting does not occur.

26. **NEVER OPERATE THE EDGER,** without guards or other protective devices in place.

27. **DO NOT OPERATE THE EDGER** – with a damaged or excessively worn blade.

28. **MULTIPLE OPERATORS** — Keep a safe distance between two or more operators when working together simultaneously.

29. **BE SURE EDGER IS FULLY ASSEMBLED** — Never operate Edger without all guards and deflectors in place. Ensure that all nuts, bolts, screws are installed and properly tightened. Check pulley set screws and all fasteners for tightness and lubricate cutter head shaft, key, keyway and bushings prior to each use.

30. **ALWAYS KEEP THE THROTTLE IN THE “STOP” POSITION WHEN NOT IN USE.**

ASSEMBLY INSTRUCTIONS:

Your Little Wonder Edger requires a minimal amount of assembly prior to use.

Packed with each unit you will find the following:

1. Edger assembly consisting of engine mounted on deck with wheels and cutter head installed.
2. Upper handle assembly.
3. Blade guard, P/N 129B.
4. Upper adjusting handle, P/N 155E.
5. Lift handle, P/N 187.
6. Draw rod, P/N 198.
7. Blade, P/N 129.
8. One (1) bag of hardware and fasteners containing the following:

QUANTITY	P/N	DESCRIPTION
2	129C	Hex head cap screw 5/16-18x3/4
2	129C-1	Hex head cap screw 5/16-18x1/2
5	144-1	Hex head cap screw 1/4-20x1 1/4
1	378	Hex head cap screw 1/4-20x1 1/2
1	146B	Throttle clip
2	153	Adjusting rod clamp
1	154	Knob
2	129D	Lock washers 5/16
2	163	Washer — flat 5/16
6	972	Nuts — lock 1/4-20
3	114B	Nuts — lock, flange 5/16-18

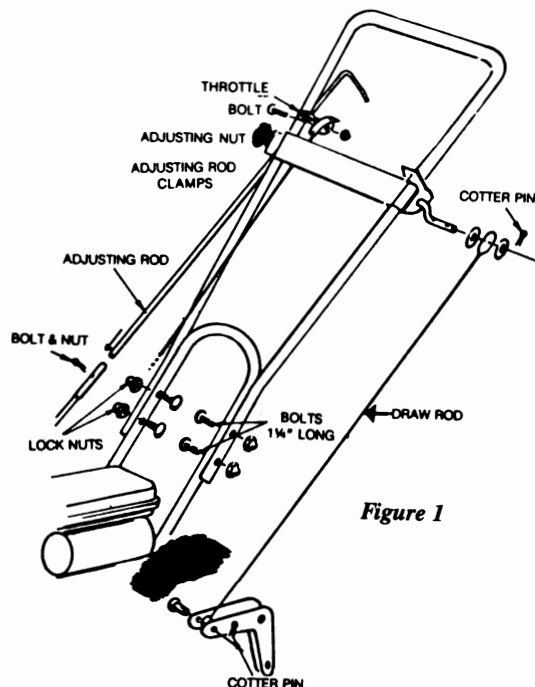


Figure 1

REFER TO PARTS EXPLOSION AND ILLUSTRATION AND ASSEMBLY YOUR PRO MODEL EDGER AS FOLLOWS:

1. Install lower handle P/N 199, to handle extensions P/N 186L and P/N 186R which are mounted on axle. Use two cap screws P/N 129C, and two nuts P/N 114B and tighten securely.

2. Install lift handle P/N 187 on engine stud with nut P/N 114B, P/N 217 (Cat. #6031K only). Place curved end of lift handle over lower handle P/N 199 and insert cap screw P/N 144-1, and nut P/N 972.

3. Use the four cap screws P/N 144-1 and nuts P/N 972 to assemble the handle to the main edger assembly. Cap screw P/N 378 and nut P/N 972 are used to assemble the throttle P/N 188 or P/N 214 (Cat. #6031K only) to handle assembly.

4. Assembled loose on lower adjusting handle are nut P/N 973 and cap screw P/N 208. Remove nut and install upper adjusting handle P/N 155E, replace nut, and secure.

5. The adjusting rod is then inserted in the adjusting rod clamps, P/N 153 which are placed on the brace bolt right, P/N 152 which has been preassembled on the handle. Secure the knob, P/N 154.

6. Assemble draw rod, P/N 198 as shown in figure 1. Remove cotter pin P/N 156, and washer, P/N 163 from lever belt slackener P/N 167 located on upper handle. Place elongated loop in draw rod on belt slackener lever. Reinstall washer and replace and bend legs of cotterpin. Remove cotterpin P/N 156, and clevis pin P/N170, from belt slackener P/N 169. Place round hole in draw rod between legs of belt slackener. Reinstall clevis pin through belt slackener and draw rod and replace and bend legs of cotter pin.

7. The blade guard, P/N 129B is installed on the flange of the cutter head, P/N 126. Place flat washers, P/N 163 against outside surface of blade guard, place lock washer, P/N 129D under head of cap screws, P/N 129C. Screw cap screws, into tapped holes in flange of cutter head. Location of blade guard, should be adjusted so the bottom of the guard just clears the ground when edging. Set to the desired position and tighten cap screws.

8. Remove nut, P/N 130 and one washer, P/N 128 and install blade, P/N129. Replace washer and tighten. Be sure to install washers, with flat side against blade.

9. Rotate mud flap, P/N 209 to a position directly behind, and perpendicular to blade guard, P/N 129B. Tighten nut P/N 114B, and cap screw P/N 129C to secure mud flap to edger.

YOUR PRO EDGER IS NOW ASSEMBLED.

OPERATING INSTRUCTIONS:

A. BEFORE STARTING

1. Place Edger on level surface, be sure blade is not obstructed and the area is clear and free of bystanders. Your Edger is equipped with a Briggs & Stratton or Kawasaki 4 cycle engine.
2. Check oil level, be sure crankcase is filled with oil.
3. Fill gas tank with fresh gas. Do not mix gas with oil.

NOTE: Refer to Briggs & Stratton or Kawasaki Operating and Maintenance Instructions for recommended grades of oil and gas.

B. STARTING

1. Your Edger is equipped with remote or Choke-a-Matic, and remote stop switch. To start, move lever on throttle control as far forward as possible to START position.

NOTE: A warm engine requires less choking than a cold engine.

2. Remove belt tension by pulling the belt slackener lever, P/N 167, up. This provides easier starting.
3. Hold the handle of Edger with your left hand and pull the rewind starter grip with your right hand.
4. Once engine starts, move throttle control lever to desired minimum or maximum range as required.

C. CAUTION

1. Do not change the engine governor settings or overspeed the engine.
2. If the product vibrates abnormally, immediately stop the engine and check for the cause. Vibration is generally a warning of trouble.

3. Stop the engine whenever you leave the operating position; disconnect the spark plug lead before unclogging the cutting member guard, when making a repair, adjustment inspection, or the like.

4. Operate edger from position where guards block the line of sight to the cutting member.

D. OPERATING

1. Use common sense and exercise caution at all times when operating your edger.

2. Your Little Wonder edger has been carefully designed to eliminate hazards; however, when edging, the potential exists for blows from rocks, cement, pieces of steel, glass, etc. These obstructions should be avoided at all times.

3. Never leave the Edger when the engine is running, particularly on hills where the Edger might roll.

4. Setting depth of blade. (1) Place left hand on upper handle, P/N 142, loosen knob, P/N 154 with right hand, grasp adjusting rod upper, P/N 155E with right hand. By pulling adjusting rod, you lower blade for deeper cuts. By pushing adjusting rod, you raise blade for shallow cuts. Retighten knob, P/N 154 when desired setting is achieved.

5. Engine speed — The engine speed should be kept to the minimum consistent with the job at hand. Speeds higher than necessary will only cause undue wear and tear. A speed halfway between “idling” and “wide open” is normally adequate. Tougher jobs may require higher speeds.

6. Little Wonder Edgers provide the finishing touch. They edge along flower beds, terraces, sidewalks and curbs.

7. Edging — The blade is perpendicular to the ground or sidewalk. The cutting depth should be sufficient to cut away the root structure, usually 1 to 1½” deep. Along flush sidewalks or drives and when possible it is easier to place the wheels on the cement rather than the grass. The hardened tool steel blade, P/N 129, becomes its own guide if it is permitted to rub against the side or edge of the cement. When edging along a curve, the rear wheels should be held off the ground so that the machine may be maneuvered “wheelbarrow fashion.”

USER MAINTENANCE INSTRUCTIONS

1. Keep all nuts, bolts and screws tight.

2. Never store the edger trimmer with fuel in the fuel tank inside a building where fumes may reach an open flame or sparks, or in a confined space such as a car trunk.

3. Always refer to the instruction manual for important details if the product is to be stored for an extended period.

4. Check tightness of blade nut before each use.

5. Prior to each use, lubricate cutter head shaft, key, keyway and bushings with good grade of light oil.

6. Prior to each use, check to see that set screws on pulleys are tight.

CAUTION — Loose set screws can cause damage to shaft and pulley. Improper maintenance could void warranty.

WARNING: The engine on your Edger is not equipped with a spark arrester and if Edger is to be used on any forest covered, brush covered, or grass covered unimproved land, before using on such land a spark arrester must be added to the muffler. The arrester must be maintained in effective working order by the operator. In the State of California the above is required by law (Section 4442 of the California Public Resources Code). Other states may have similar laws. Federal laws apply on federal lands. See your Authorized Briggs & Stratton or Kawasaki Service Center for spark arrester muffler options.

LIMITED SERVICE & WARRANTY POLICY

All "Little Wonder" products are guaranteed against defects in material and workmanship for a period of ONE YEAR FROM DATE OF PURCHASE when used for RESIDENTIAL SERVICE, NINETY DAYS FROM DATE OF PURCHASE for COMMERCIAL SERVICE. Any "Little Wonder" products or parts found to be defective within the warranty period are to be returned to our factory at Southampton, PA.

Transportation charges on parts and units submitted for replacement under this warranty must be borne by purchaser.

Engines for gas powered products are warranted separately by the engine manufacturer. Therefore, there are no warranties made, expressed or implied, for engines for gas powered products by "Little Wonder".

THIS WARRANTY shall not be effective if the product has been the subject of misuse, negligence or accident or if the product has been repaired or altered outside of our Southampton factory in any respect which affects its condition or operation.

"Little Wonder" shall not be liable for any special indirect or consequential damages arising from defective equipment. Any implied warranty, including merchantability or fitness for a particular purpose, shall not extend beyond the written warranty period.

THIS WARRANTY shall be effective only providing enclosed card is properly filled out and returned to "Little Wonder, Div. of Schiller-Pfeiffer, Inc." at time of purchase.

TROUBLE SHOOTING GUIDE

PROBLEM	POSSIBLE CAUSE	CORRECTIVE ACTION
A. Engine will not start.	<ol style="list-style-type: none"> 1. Out of gasoline. 2. Spark plug lead wire loose or disconnected. 3. Defective spark plug. 4. Throttle control lever not in proper position. 5. Engine flooded or flooding. 6. Stale or contaminated gasoline. 	<ol style="list-style-type: none"> 1. Fill gasoline tank. 2. Reconnect spark plug lead wire. 3. Replace spark plug. 4. Move throttle control lever to start position. 5. Start engine with choke fully open. 6. Drain, clean tank and system and refill with fresh gasoline.
B. Loss of power, hard starting.	<ol style="list-style-type: none"> 1. Spark plug lead wire loose. 2. Defective spark plug. 3. Carburetor out of adjustment. 4. Air cleaner dirty. 5. Air vents clogged or plugged. 	<ol style="list-style-type: none"> 1. Tighten spark plug lead wire. 2. Replace spark plug. 3. Properly adjust carburetor. 4. Clean and service air cleaner, (See the Briggs & Stratton or Kawasaki Operation and Maintenance illustrations.) 5. Clear vent in gasoline tank cap and carburetor.
C. Engine will not idle properly.	<ol style="list-style-type: none"> 1. Idle speed too slow. 2. Spark plug gap incorrect. 	<ol style="list-style-type: none"> 1. Adjust carburetor idle speed or idle mixture. 2. Set spark plug gap .030 (.76mm). For Briggs & Stratton engine.
D. Engine runs hot or overheats.	<ol style="list-style-type: none"> 1. Oil level low. 2. Engine cooling fins or baffles clogged, with dirt and debris. 3. Carburetor out of adjustment. 	<ol style="list-style-type: none"> 1. Fill crankcase to proper oil level. 2. Clean and remove obstructions. 3. Readjust carburetor.
E. Control mechanisms for depth of blade will not function.	<ol style="list-style-type: none"> 1. Parts bent, distorted, worn out or missing. 	<ol style="list-style-type: none"> 1. Inspect control mechanism, and repair or replace damaged, worn out, or missing components.

PART NUMBER	DESCRIPTION	#6031	#6031 1.C.	#6031K
100	Deck	1	1	1
100C	Deck Bracket	1	1	1
100D	Deck Bracket Support	1	1	1
102B	Hex Nut 3/8-16	1	1	1
102C	Sleeve	2	2	2
103	Retaining Ring	2	2	2
106	Wheel — Front and Left Rear	3	3	3
107	Wheel — Right Rear	1	1	1
108	Wheel Housing	2	2	2
110	Speed Nut	3	3	3
113	Hex Head Cap Screw 5/16-18x1½	4	4	4
114B	Flange Nut 5/16-18	12	12	11
115	Hex Nut 5/16-18	2	2	2
117	Key, Pulley 3/16 Square	2	2	2
118	Set Screw 5/16-18x3/8	4	4	4
122	Retaining Ring	1	1	1
124	Bearing	2	2	2
126	Cutter Head	1	1	1
127	Grease Fitting	1	1	1
128	Blade Washer	2	2	2
129	Blade	1	1	1
129B	Blade Guard	1	1	1
129C	Hex Head Cap Screw 5/16-18x¾	6	6	6
129C-1	Hex Head Cap Screw 5/16-18x½	4	4	4
129D	Lock Washer 5/16	3	3	3
130	Nut ½-20	1	1	1
131A	Cutter Head Shaft	1	1	1
132	Tension Pin ¼x1¼	1	1	1
134	Spring	1	1	1
137A	Grip	1	1	1
138	Key — Head Shaft	1	1	1
140	Bolt Hex Head ¼-20x3/8	2	2	2
142	Handle—Upper	1	1	1
144-1	Hex Head Cap Screw ¼-20x1¼	5	5	5
146B	Throttle Clip	1	1	1
148D	Handle Brace	1	1	1
151	Carriage Bolt 5/16-18x1¼	1	1	1
152	Carriage Bolt 5/16-18x2½	1	1	1
153	Adjusting Rod Clamp	2	2	2
154	Knob	1	1	1
155C	Adjusting Rod Lower	1	1	1
155E	Adjusting Rod Upper	1	1	1
156	Cotter Pin	2	2	2
162B	Hex Head Cap Screw ¼-20x½	2	2	2
163	Washer 3/8 I.D.	3	3	3
166	Indexing Rod Bracket	1	1	1
167	Lever, Belt Slackener	1	1	1
169	Link Belt Slackener	1	1	1
170	Clevis Pin	1	1	1
171	Clevis Pin	1	1	1
172AR	Hook	1	1	1
172BR	Eye bolt	1	1	1
175B	Lock Nut ¼-20	1	1	1
176	Washer ½	8	8	8
177	V Belt	2	2	2
178	Spacer	1	1	1
179	Hex Head Cap Screw ¼-20x1¾	1	1	—
181	Cutter Head Shaft	1	1	1
1831 1.C.	3 H.P. Briggs & Stratton Engine (Not Shown)	—	1	—
183K	3 H.P. Kawasaki Engine (Not Shown)	—	—	1
183	3 H.P. Briggs & Stratton Engine (Not Shown)	1	—	—
184	Axle	1	1	1
185	Clevis Pin	1	1	1
186L	Handle Extension — Left	1	1	1
186R	Handle Extension — Right	1	1	1
187	Lift Handle	1	1	1
188	Throttle	1	1	—
191	Guide Bracket	1	1	1
192	Guide Plate	1	1	1
193	Front Wheel Bracket	1	1	1
194	Hex Head Cap Screw 3/8-16x5½	1	1	1
195	Belt Guard	1	1	1
196	Hex Head Cap Screw 5/16-24x1¼	1	1	1
197	Jam Nut 5/16-24	1	1	1
198	Draw Rod	1	1	1
199	Lower Handie	1	1	1
208	Bolt Hex Head #10-32x¾	1	1	1
209	Mud Flap	1	1	1
212	Bracket	1	1	1
213	Hex Head Cap Screw 5/16-24x½	1	1	1
216	Pulley — Engine	1	1	1
220	Pulley — Cutter Head	1	1	1
328	Washer ¼	2	2	2
378	Hex Head Cap Screw ¼-20x1½	1	1	1
972	Lock Nut ¼-20	8	8	8
973	Lock Nut #10-32	1	1	1
165A	Grip	1	1	1
167A	Speed Nut	1	1	1
214	Throttle	—	—	1
215	Hex Bolt 8.8 mm 6x45	—	—	1
217	Flange Nut c18 m8	—	—	1

PRO MODEL EDGER CATALOG #6031, #6031 I.C. & #6031K

